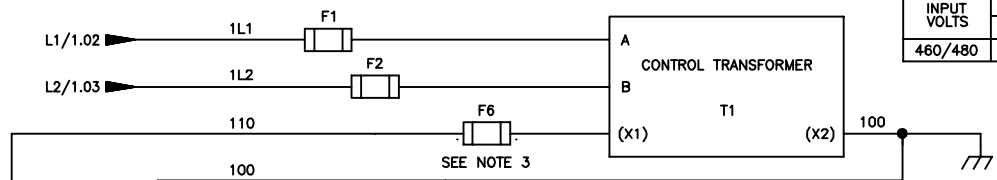


\* - INDICATES COMPONENTS NOT SUPPLIED BY YASKAWA.  
 --- INDICATES CUSTOMER WIRING.  
 SEE SHEET 2 FOR NOTES.  
 SEE DRAWING UDE00472 FOR CUSTOMER CONNECTION TABLES.

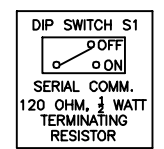
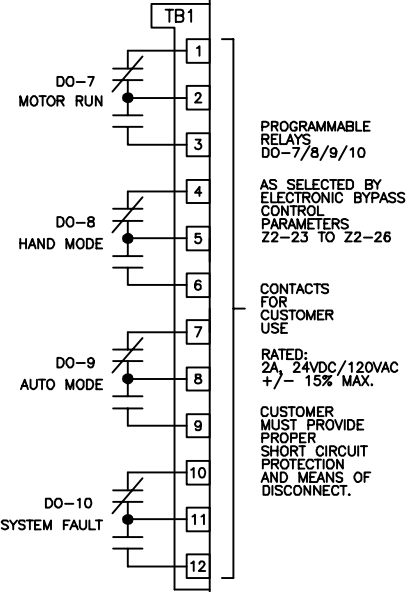
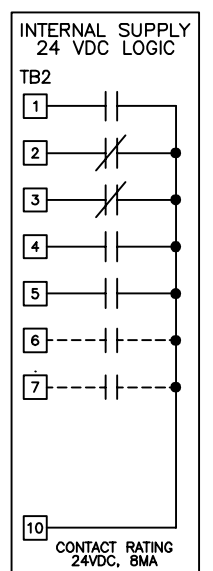
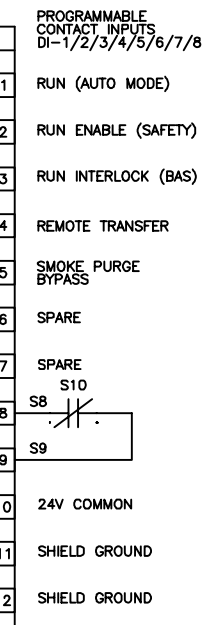
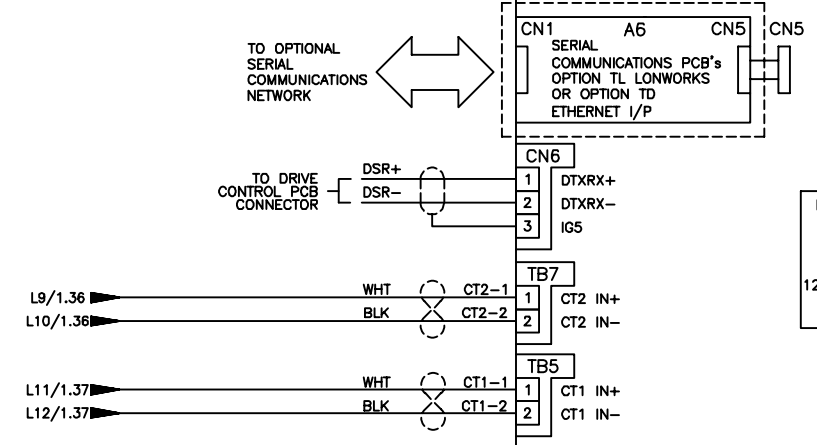
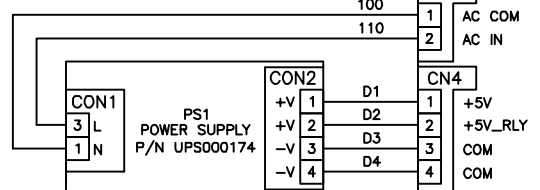
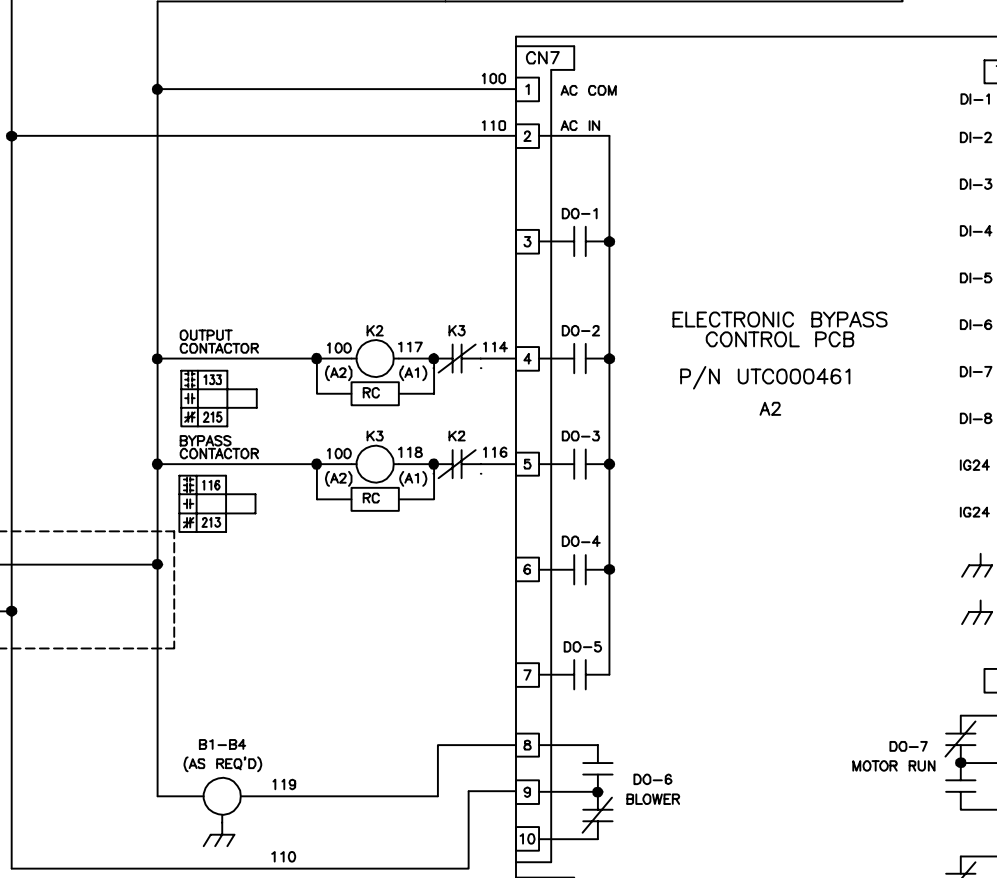
REVISIONS				
REV.	DESCRIPTION	ECO #	DRAWN BY	DATE
00	INITIAL RELEASE	-	KJL	12/9/22

	DRAWN BY:	K.LEIN	DATE:	12/9/22	TITLE: SCHEMATIC DIAGRAM Z1000U ELECTRONIC BYPASS					
	CHECKED:	R.JENSEN	DATE:	12/12/22						
	APPROVED:	K.FLIERL	DATE:	12/12/22	SIZE:	D	REVISION:	00	PAGE:	1 of 2
	ORIGINAL DESIGNER:	K.LEIN	DATE:	12/9/22	DRAWING #:	DS.Z1D2.01				

INPUT VOLTS	TERMINALS		JUMPER LOCATION
	A	B	
460/480	(H1)	(H4)	(H2) TO (H3)



OPTION TK  
200VA EXTRA  
CAPACITY



RS485 SERIAL COMMUNICATION SELECTIONS AVAILABLE:  
1. MODBUS  
2. N2 / METASYS  
3. FLN / APOGEE  
4. BACNET (FACTORY SETTING)

HOA OPERATOR  
PART NUMBER  
JVOP-183

- NOTES:
1. CONNECTED TO THE CABINET. CUSTOMER TO CONNECT THE CABINET GROUND LUGS TO EARTH GROUND AND UTILITY GROUND.
  2. INSULATED TWISTED SHIELDED WIRE IS REQUIRED. SHIELD TO CONNECT TO PROPER TERMINAL AS SHOWN. CONNECT THE SHIELD ONLY AT THIS END. STUB AND ISOLATE THE OTHER END. DO NOT RUN THESE WIRES IN THE SAME CONDUIT AS THE AC POWER AND THE AC CONTROL WIRES.
  3. WITH A CONTROL TRANSFORMER, T1, POWER RATING 350VA OR GREATER, SECONDARY FUSE F6 IS ADDED.
  4. CHANGING Z1-01 TO "1" WILL PROGRAM THE DRIVE AND BYPASS PARAMETERS TO THEIR FACTORY DEFAULT SETTINGS.
  5. THE MOTOR OVERLOAD RELAY IS FACTORY SET FOR MANUAL RESET. CUSTOMER TO ADJUST THE MOTOR OVERLOAD RELAY TRIP SETTING FOR THE ACTUAL AC MOTOR'S FULL LOAD AMPS.
  6. CONDUIT FITTINGS/HUBS SHALL COMPLY WITH THE 'STANDARD FOR CONDUIT, TUBING, AND CABLE FITTINGS, UL 514B'. OR CONDUIT FITTINGS HAVING THE SAME ENVIRONMENTAL RATING AS THE ENCLOSURE SHALL BE USED.
  7. FOR APPLICATIONS WITH SPEED POT R1, SET PARAMETERS Z1-41 TO 1 & H3-06 TO 1F.

<b>YASKAWA</b>	DRAWN BY: K.LEIN	DATE: 12/9/22	TITLE: SCHEMATIC DIAGRAM Z1000U ELECTRONIC BYPASS
	CHECKED: R.JENSEN	DATE: 12/12/22	
THIS DOCUMENT AND INFORMATION CONTAINED IN IT ARE CONFIDENTIAL, AND CANNOT BE COPIED OR DISCLOSED IN WHOLE OR IN PART WITHOUT THE EXPRESS WRITTEN CONSENT OF YASKAWA AMERICA INC.	APPROVED: K.FLIERL	DATE: 12/12/22	SIZE: D
	ORIGINAL DESIGNED: K.LEIN	DATE: 12/9/22	REVISION: 00
			PAGE: 2 of 2
			DRAWING #: DS.Z1D2.01